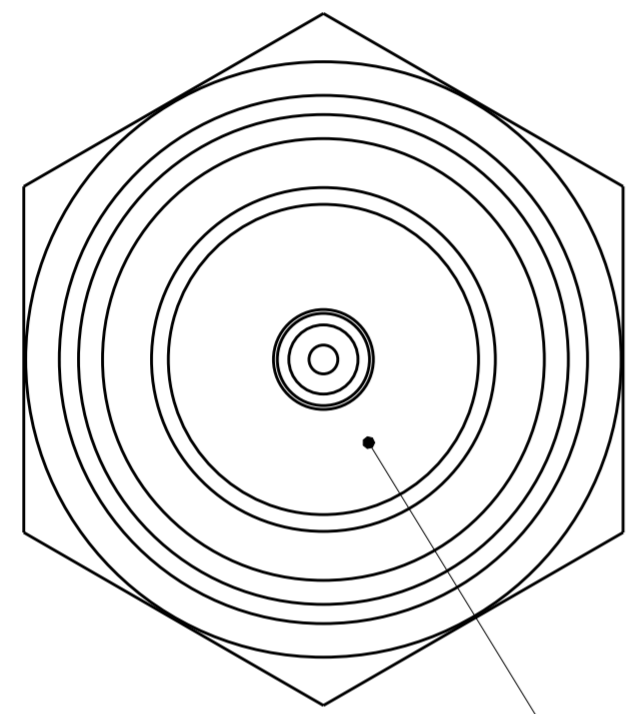
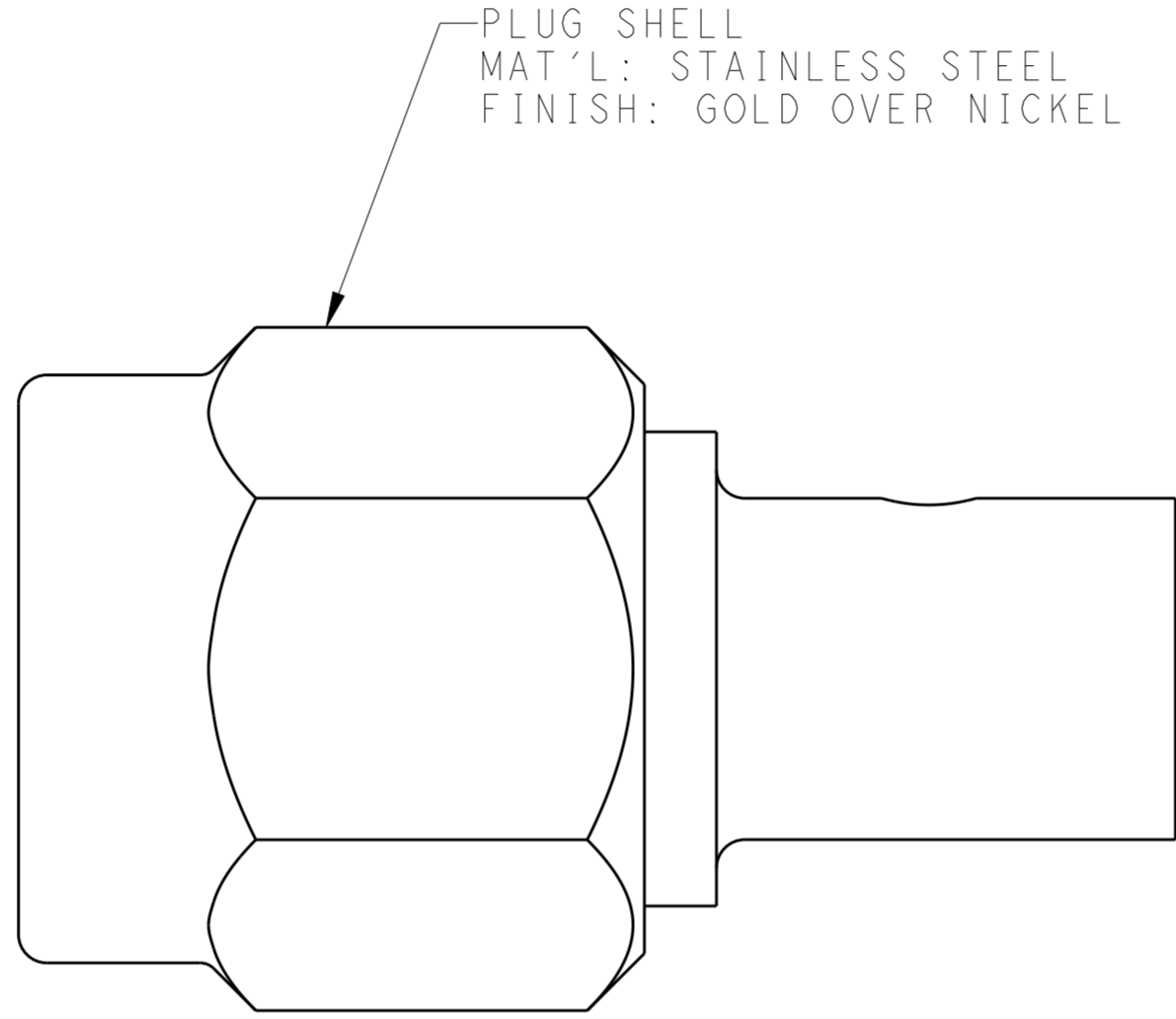


THIS DRAWING IS UNPUBLISHED. RELEASED FOR PUBLICATION  
 © COPYRIGHT - ALL RIGHTS RESERVED.

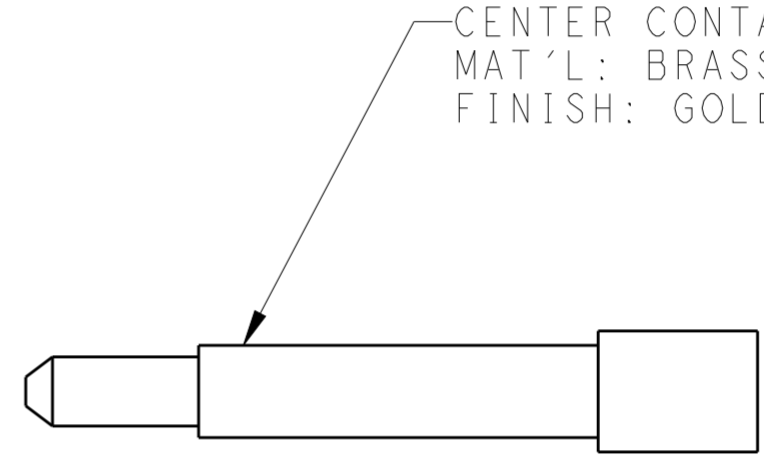
REVISIONS				
P	LTR	DESCRIPTION	DATE	APVD
B		REV PER ECO 18-017825	1-30-19	CT PR



DIELECTRIC  
MAT'L: PTFE



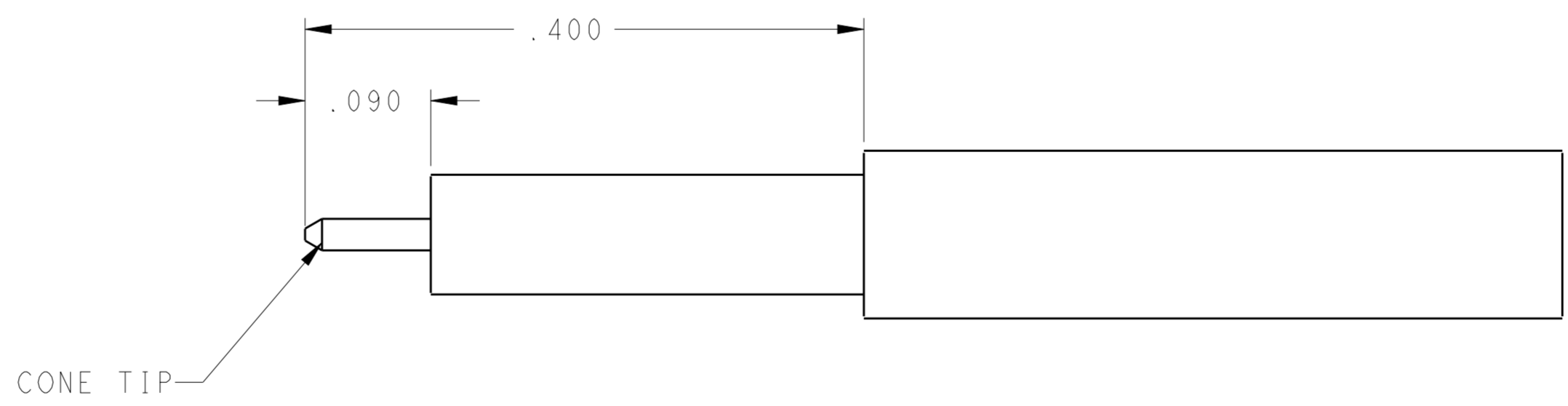
PLUG SHELL  
MAT'L: STAINLESS STEEL  
FINISH: GOLD OVER NICKEL



CENTER CONTACT  
MAT'L: BRASS  
FINISH: GOLD OVER NICKEL



DIELECTRIC  
MAT'L: PTFE



1. SHIPPED UNASSEMBLED AS SHOWN
2. DESIGNED FOR TEMP-FLEX 086-2201 LOW LOSS CABLE.

2310286-1  
PART NO.

THIS DRAWING IS A CONTROLLED DOCUMENT.		DWN C.C. THOMAS 9-12-18	<b>STE</b> TE Connectivity	
DIMENSIONS: INCHES		CHK F. BLASICK 9-12-18		
TOLERANCES UNLESS OTHERWISE SPECIFIED:		APVD F. BLASICK 9-12-18	NAME SMA STRAIGHT CABLE PLUG, DIRECT SOLDER ATTACHMENT	
0 PLC ±		PRODUCT SPEC	SIZE	
1 PLC ±		APPLICATION SPEC	CAGE CODE	
2 PLC ±		WEIGHT	DRAWING NO	
3 PLC ±		CUSTOMER DRAWING	A200779C-2310286	
4 PLC ±		SCALE 10:1	SHEET 1 OF 1	
ANGLES ±		REV B		
FINISH -				